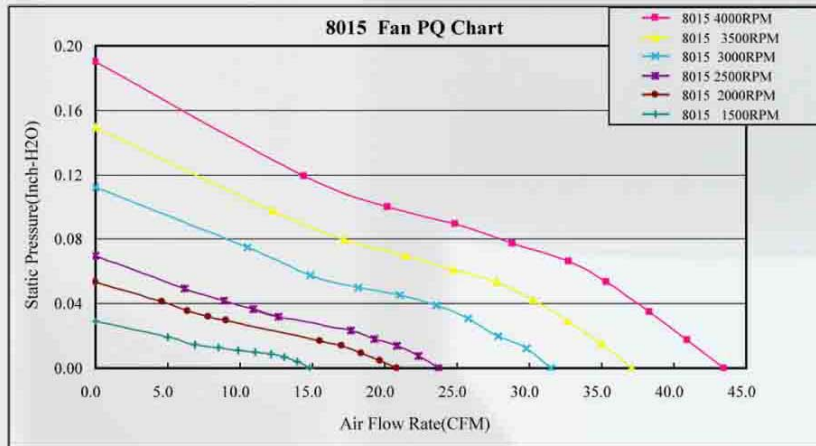


8015 series

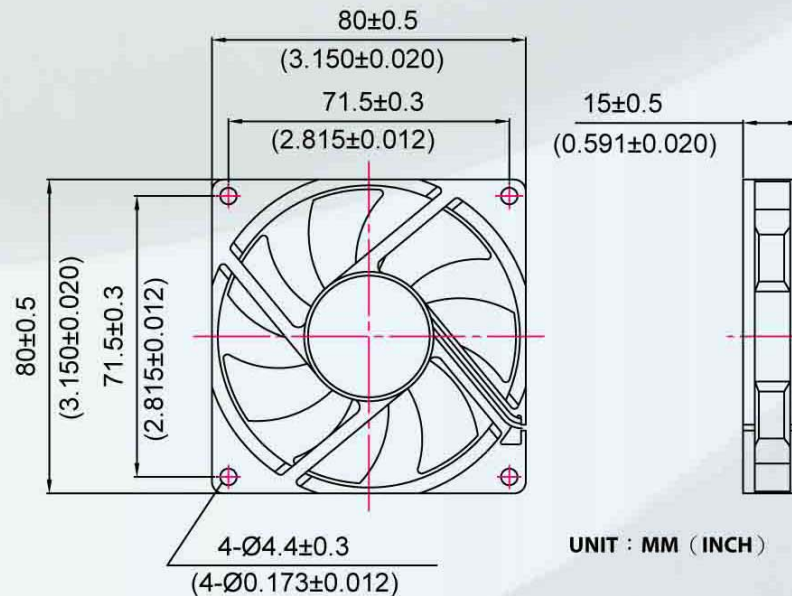
80x80x15 mm



P&Q Curve



Dimensions Drawing



Specifications

Model	Rated Voltage (VDC)	Rated Current (AMP)	Power Consumption (WATTS)	Speed Reference (RPM)	Air Flow (CFM)	Static Pressure (Inch-H ₂ O)	Noise (dBA)
TFD-8015TH12X	12	0.3	3.6	4000	43.46	0.19	<40
TFD-8015HH12X	12	0.25	3	3500	37.1	0.15	<35
TFD-8015H12X	12	0.2	2.4	3000	31.51	0.11	<32
TFD-8015M12X	12	0.16	1.92	2500	23.67	0.07	<26
TFD-8015L12X	12	0.14	1.68	2000	20.85	0.05	<20
TFD-8015LL12X	12	0.08	0.96	1500	14.84	0.03	<13.8
TFD-8015HH24X	24	0.13	3.12	3500	37.1	0.15	<35
TFD-8015H24X	24	0.11	2.64	3000	31.51	0.11	<32
TFD-8015M24X	24	0.09	2.16	2500	23.67	0.07	<26
TFD-8015L24X	24	0.07	1.68	2000	20.85	0.05	<20

- Material : impeller & Frame : Plastic (UL 94V-0)
- Lead Wires :
UL 1007 AWG#26 Or Equivalent
Red Wire Positive(+), Black Wire Negative(-), Yellow Wire Or Blue Wire Signal(FG)
- Function type is optional
- The max air flow and the speed are measured in free air; max air pressure is measured at zero air flow
- Noise is measured in anechoic chamber in free air, one meter from intake side
- All readings are typical values at rated voltage
- Specifications are subject to change without notice
- Additional special function may be added according to the requirement of customer